



■ FEATURES:

- For automatic assembly
- Compactness and light weight
- VCTCXO available
- Low thickness

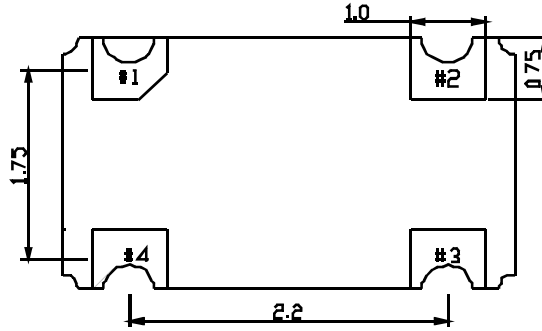
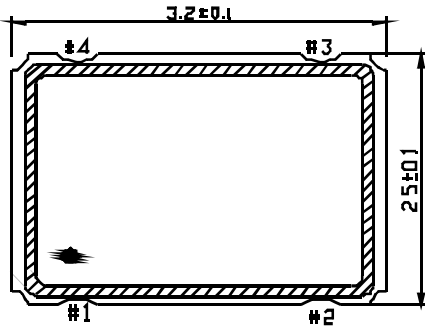
■ SPECIFICATION:

Parameter	Min	Typical	Max	Unit
Package	SMD3225			
Frequency Range(F0)	10.00		52.00	MHz
Standard Frequency	12.800 16.367667 19.200 26.000 40.000			MHz
Frequency Stability @ $\Delta T/F/F0$			$\pm 1.0(0^{\circ} \text{ to } +50^{\circ})$ $\pm 1.5(0^{\circ} \text{ to } +70^{\circ})$ $\pm 2.0(-20^{\circ} \text{ to } +70^{\circ})$ $\pm 2.5(-30^{\circ} \text{ to } +75^{\circ})$ $\pm 3.0(-40^{\circ} \text{ to } +85^{\circ})$	PPM
Frequency Stability @ Load $\Delta F/F0$			$\pm 0.3(\pm 10\% \text{ Load Change})$	PPM
Frequency Stability @ Vcc $\Delta F/F0$			$\pm 0.2$	PPM
Aging Per Year			$\pm 1.0$	PPM
Phase Noise@19.20MHz			-110dBc/Hz(100Hz) -140dBc/Hz(1KHz) -150dBc/Hz(10KHz)	
Operating Temperature Range(T)	-40		+85	$^{\circ}\text{C}$
Storage Temperature Range(T)	-55		+125	$^{\circ}\text{C}$
Operating Voltage(Vcc)	3.0 $\pm$ 5% or 2.5 $\pm$ 5% or 1.8 $\pm$ 5%			V
Input Current On Load(Icc)			3(10.00 to 23.99MHz) 5(24.00 to 52.00MHz)	mA
Start Time			2	ms
Output Load	10K $\Omega$ //10PF			
Output Level(Clipped Sine Wave)	0.8Vp-p			V
Control Voltage Range(Vcontrol)	20%VCC		80%VCC	V
Pull ability@Control Voltage Range	$\pm 5.0$			PPM

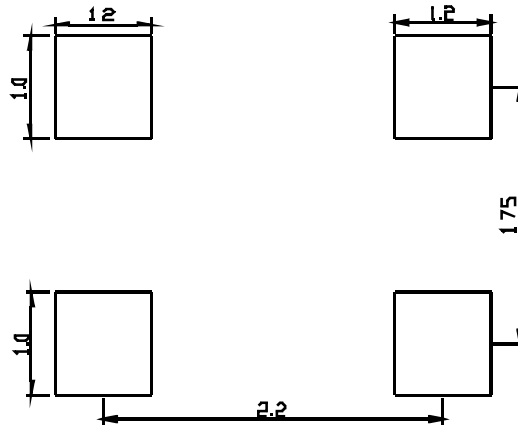




■ DIMENSIONS AND PIN FUNCTION:



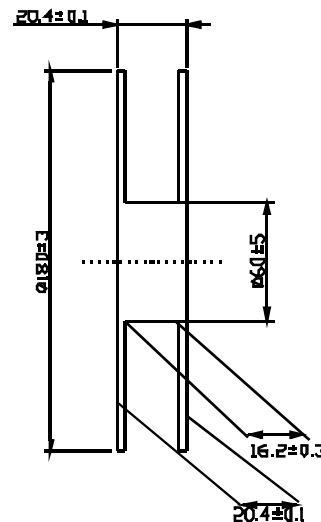
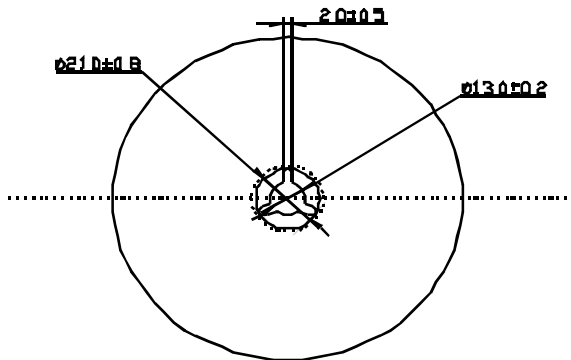
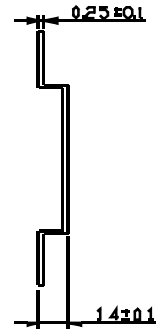
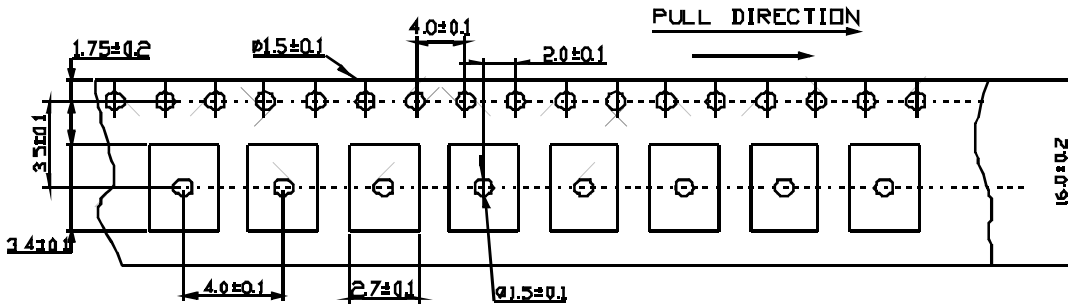
PIN	Function
#1	NC/V <sub>CONTROL</sub>
#2	GND
#3	Output
#4	V <sub>CC</sub>



Unit:mm

Recommended Solder Pattern

■ TAPING AND REEL:



Unit: mm

